

Electric Vehicle Infrastructure

Integrated credit card payment terminal



Any ABB Terra charging system can be equipped with an integrated payment terminal to facilitate payment by credit card and NFC. A payment terminal enables paid charging without a membership model and can operate with or without a back office.

— ABB's certified and secure payment terminal is integrated with the charging station's intelligence.

Business model choice

Whether you are operating a network of chargers or want a way to monetize your infrastructure investment, ABB offers an integrated payment terminal solution. This payment terminal supports payment via credit card and Near Field Communication (NFC).

The payment terminal is available as a field upgrade for any charger from the Terra series of fast and high power charging systems. The default RFID and OCPP functionality of the charger can also be maintained to enable multiple methods of consumer payment interaction.

Commercial enablement

The integrated credit card payment terminal option requires a one-time investment in hardware and installation. The recurring costs consist of the annual fee for the web tool which provides operational control, and the transaction costs of the acquirer. ABB's credit card-based payment solutions support various acquirers for the financial processing of the transactions.

Applications

- Public infrastructure roaming enablement
- Large commercial charging networks
- Projects requiring credit card readers
- Charging networks without back office
- Charging networks without membership model

Main features

- Payment via credit card and NFC
- Payment upfront per charging session
- Support of low value transactions
- High res touch screen displays pricing information
- Automatic cancellation of payment in case of error during the first minutes of charging
- Can work in parallel with RFID and OCPP network functionality
- Easy field upgrade for any ABB Terra system
- Remote software updates

Operator control with ABB web tools

- Allows price setting based on session, time and kWh
- Set minimum and maximum fees
- Set auto stop when max fee is reached
- Show final charge on HMI interface
- Transaction overview
- Access to receipts and reconciliation data

General specifications	
Accepted payments	EMV contact chip without PIN entry; NFC with smartphone, contactless cards or stickers
EMV Payment schemes	Visa™, MasterCard™
NFC / Contactless Payment schemes	MasterCard PayPass™, Visa payWave™
Payment service provider	Nayax
Supported chargers	ABB Terra charging stations
Field upgradable	Yes
Compliance & Safety	CSA and UL, ESD protected Compatible with EU disclosure regulations ISO 7811 Magnetic Stripe Card ISO 7816 Contact Smart Card ISO 14443 Contactless Type A and B ISO 15693 NFC
Certificates	EMVCo L1 contactless type approval, EMVCo L1 contact type approval, PayPass™, payWave™ compatible
Chip card reader	ISO 7816, EMV 2000 Level 1
User interface	Color Touch LCD Display 2.4 inch IPS 320 x 240 + 4 LEDs + Buzzer + Speaker + Six Soft Touch Buttons
Dimensions (H x W x H)	4.13" x 3.31" x 1.9" 105mm x 84mm x 48.3mm
Weight	8.11 ounces / 230 grams
Operating Conditions	Temperature -30°C - 50°C (-22°F - 122°F) Humidity 25% - 95% (non-condensing)
Management	Remote software updates
Language	Two language display capability
Security	High Security Encryption System: AES/DES Anti-Vandal with Gorilla Glass Shock and tilt detector

Payment terminal dimensions

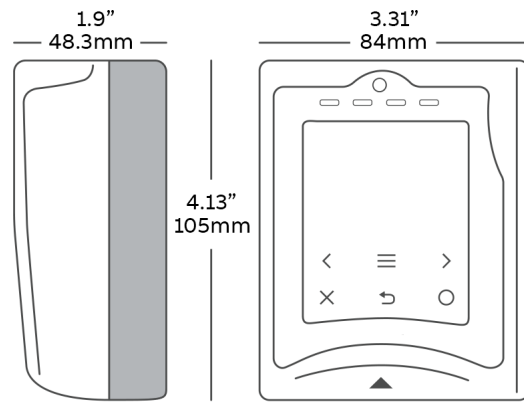


ABB Inc.
4050 E. Cotton Center Blvd
Phoenix, AZ 85040
United States
Phone: 800-435-7365
E-mail: US-evci@us.abb.com

ABB Inc.
800 Hymus Boulevard
Saint-Laurent, QC H4S 0B5
Canada
Phone: 800-435-7365
E-mail: CA-evci@abb.com

We reserve the right to make technical changes or modify the contents of this document without prior notice. We reserve all rights in this document and in the subject matter and illustrations contained therein. Any reproduction, disclosure to third parties or utilization of its contents – in whole or in parts – is forbidden without prior written consent of ABB. Copyright© 2018 ABB. All rights reserved.